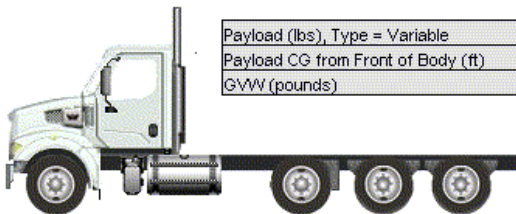
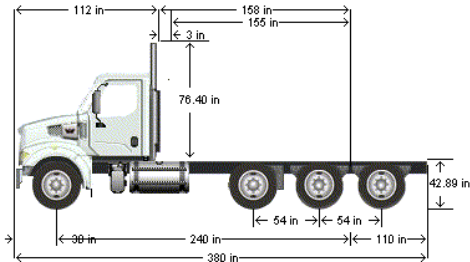


Attachment B

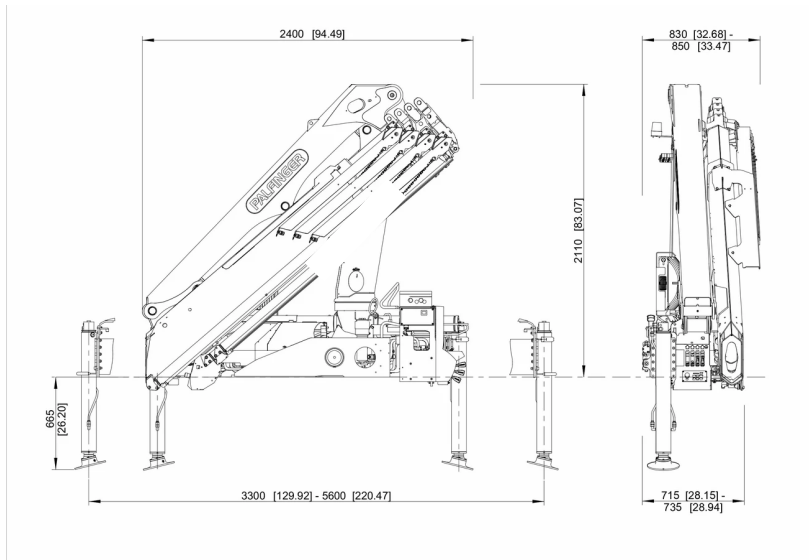
Large Scale Truck Specifications/ Knuckle Boom Crane Specifications

These are approximate dimensions of the truck that the equipment will be installed on.



Payload (lbs), Type = Variable	0
Payload CG from Front of Body (ft)	0.0
GVW (pounds)	23940

Front 9796 Pusher 2296 Rear 11848



For Knuckle Boom Crane Specs – please see the above diagrams.

The bidden item needs to be an accepted equivalent to these specs.

The crane needs a Max Lifting Moment up to 82,000 lbs., Max Lifting Capacity up to 12,000 lbs., and a Hydraulic Outreach of ~27 feet.